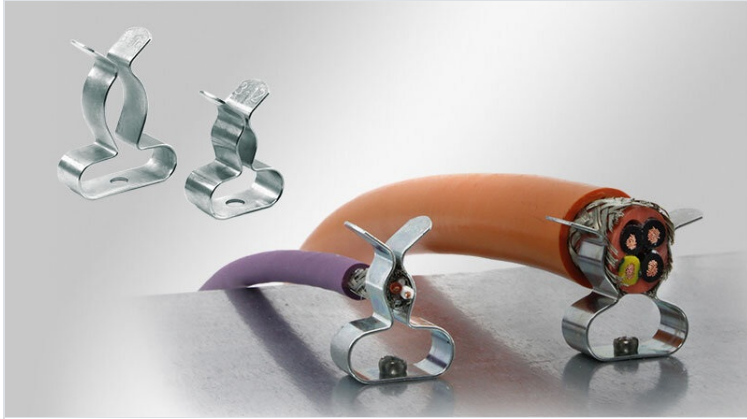


EMC shield clamps, single

for direct mounting via rivets



EMC shield clamps are used, where the shield of cables must be connected to the earth potential. They are easy to use and effective in earthing single cable shields.

The EMC cable clamps offer a large contact area to the cable shield. In comparison to conventional shielding brackets an up to 50% higher contact area can be achieved when using icotek EMC shield clamps. The specified clamping range can be exceeded up to 10%.

Due to its special design the clamping ranges of the MSKL are very large while the dimensions are comparatively small. (Example: MSKL 3-12, assembled with a 12 mm cable shield: width 26.25 mm).

The shield clamps can be easily attached via rivet.

Specifications

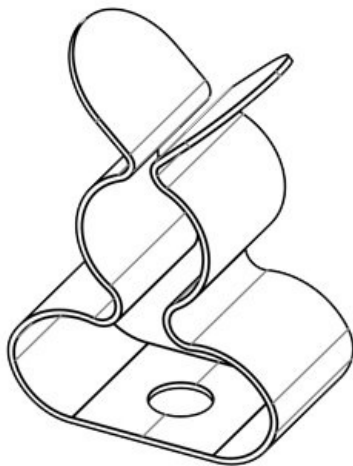
Material	Shield clamp: Spring steel, zinc plated
Properties	vibration proof
Mounting options	Riveting

Advantages & Benefits

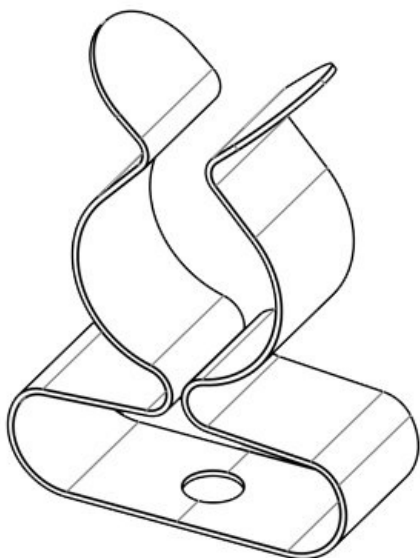
- Large contact area
- Shield contact and strain relief separated
- The spring design requires no adjustments and will permanently maintain contact to the cable shield
- Space-saving design, even when fully assembled
- MSKL: Large clamping areas, therefore less product sizes needed to cover a large cable diameter range
- Shock and vibration resistant, maintenance free

Product types & Sizes

MSKL 3-12

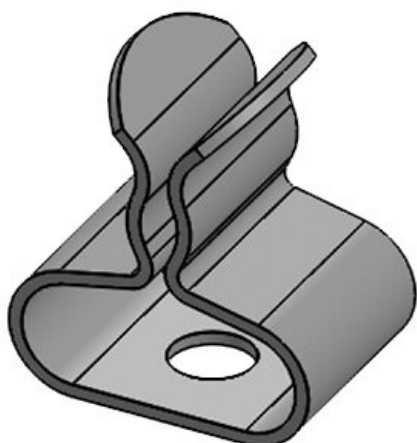


Part No.	37600	Length	8 mm
EAN	4251269316	Width	15 mm
	876	Height	20,5 mm
Package quantity	50		
No. of shield clamps	1		
For max. no. of cables	1		
Min. shield diam.	3 mm		
Max. shield diam.	12 mm		



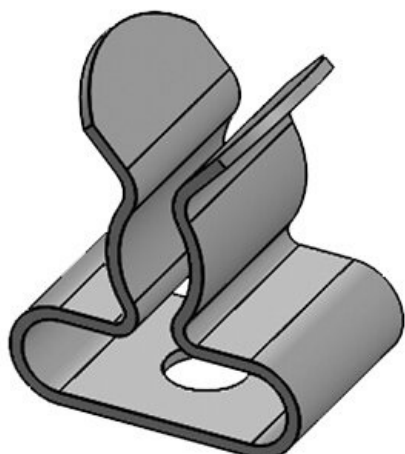
Part No.	37602	Length	8 mm
EAN	4251269316	Width	20 mm
	883	Height	27 mm
Package quantity	50		
No. of shield clamps	1		
For max. no. of cables	1		
Min. shield diam.	8 mm		
Max. shield diam.	18 mm		

SKL 1.5-3



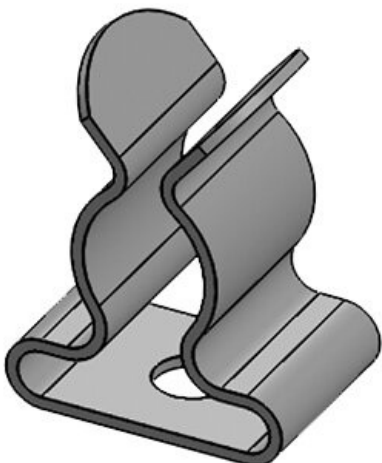
Part No.	36200	Length	8 mm
EAN	4251269302	Width	11,8 mm
	091	Height	13 mm
Package quantity	50	No. of screw holes	1
No. of shield clamps	1	Diam. of screw holes	3,2 mm
For max. no. of cables	1		
Min. shield diam.	1,5 mm		
Max. shield diam.	3 mm		

SKL 3-6



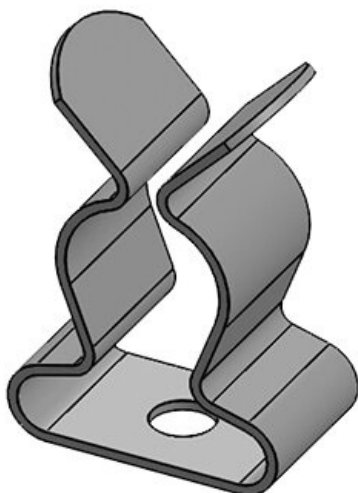
Part No.	36202	Length	8 mm
EAN	4251269302	Width	11,8 mm
	107	Height	13,6 mm
Package quantity	50	No. of screw holes	1
No. of shield clamps	1	Diam. of screw holes	3,2 mm
For max. no. of cables	1		
Min. shield diam.	3 mm		
Max. shield diam.	6 mm		

SKL 6-8



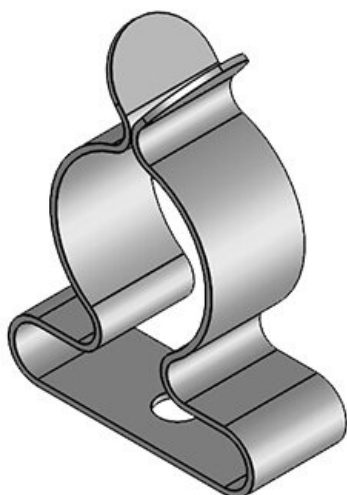
Part No.	36204	Length	8 mm
EAN	4251269302	Width	11,8 mm
	114	Height	15 mm
Package quantity	50	No. of screw holes	1
No. of shield clamps	1	Diam. of screw holes	3,2 mm
For max. no. of cables			
Min. shield diam.	6 mm		
Max. shield diam.	8 mm		

SKL 8-11



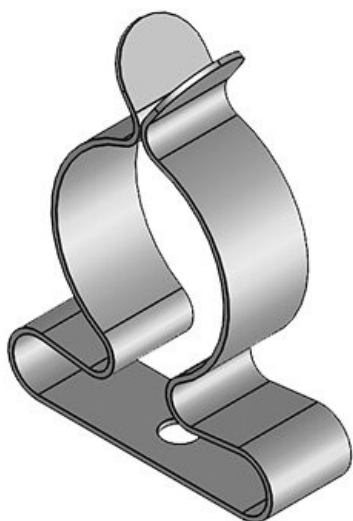
Part No.	36205	Length	8 mm
EAN	4251269302	Width	14 mm
	121	Height	20 mm
Package quantity	50	No. of screw holes	1
No. of shield clamps	1	Diam. of screw holes	3,2 mm
For max. no. of cables			
Min. shield diam.	8 mm		
Max. shield diam.	11 mm		

SKL 11-17



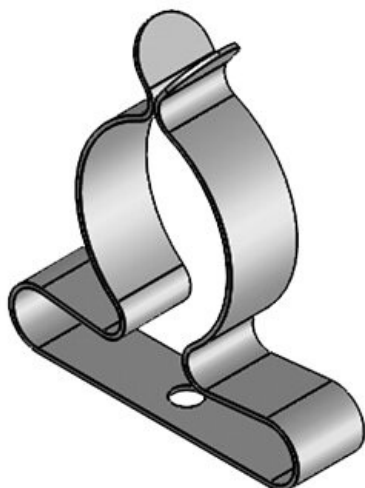
Part No.	36206	Length	8 mm
EAN	4251269302	Width	21 mm
	138	Height	27 mm
Package quantity	50	No. of screw holes	1
No. of shield clamps	1	Diam. of screw holes	3,2 mm
For max. no. of cables			
Min. shield diam.	11 mm		
Max. shield diam.	17 mm		

SKL 17-22



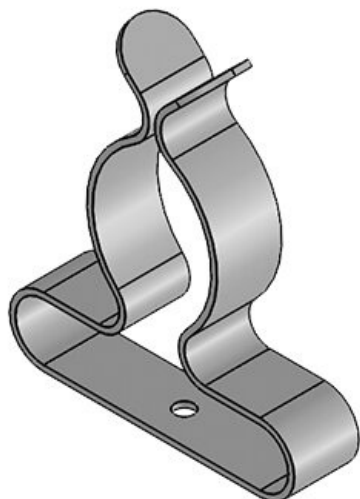
Part No.	36207	Length	8 mm
EAN	4251269302	Width	26,5 mm
	145	Height	34,5 mm
Package quantity	50	No. of screw holes	1
No. of shield clamps	1	Diam. of screw holes	3,2 mm
For max. no. of cables			
Min. shield diam.	17 mm		
Max. shield diam.	22 mm		

SKL 22-30



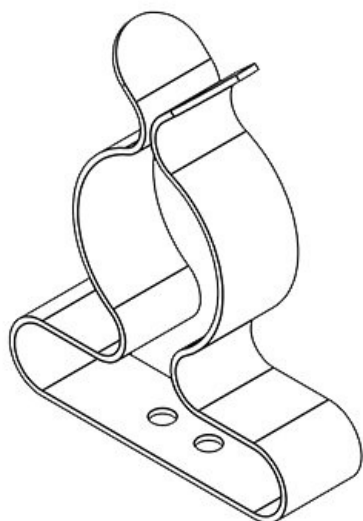
Part No.	36208	Length	8 mm
EAN	4251269302	Width	35 mm
	152	Height	39,2 mm
Package quantity	50	No. of screw holes	1
No. of shield clamps	1	Diam. of screw holes	3,2 mm
For max. no. of cables			
Min. shield diam.	22 mm		
Max. shield diam.	30 mm		

SKL 30-38



Part No.	36209	Length	13 mm
EAN	4251269302	Width	46,5 mm
	169	Height	62,5 mm
Package quantity	5	No. of screw holes	1
No. of shield clamps	1	Diam. of screw holes	5,2 mm
For max. no. of cables			
Min. shield diam.	30 mm		
Max. shield diam.	38 mm		

SKL 38-48



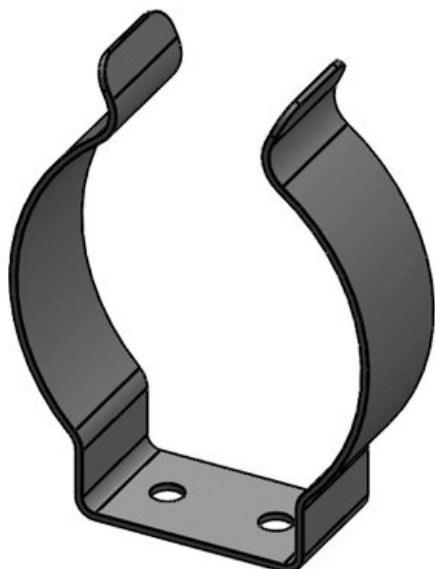
Part No.	36213	Length	13 mm
EAN	4251269302	Width	48,5 mm
	176	Height	71,5 mm
Package quantity	5	No. of screw holes	2
No. of shield clamps	1	Diam. of screw holes	5,2 mm
For max. no. of cables			
Min. shield diam.	38 mm		
Max. shield diam.	48 mm		

SKL 44-56



Part No.	36216	Length	13 mm
EAN	4251269322	Width	47 mm
	754	Height	60,5 mm
Package quantity	5	No. of screw holes	2
No. of shield clamps	1	Diam. of screw holes	3,7 mm
For max. no. of cables			
Min. shield diam.	44 mm		
Max. shield diam.	56 mm		

SKL 56-68



Part No.	36217	Length	19 mm
EAN	4251269322	Width	55 mm
	761	Height	72,5 mm
Package quantity	5	No. of screw holes	2
No. of shield clamps	1	Diam. of screw holes	4,8 mm
For max. no. of cables			
Min. shield diam.	56 mm		
Max. shield diam.	68 mm		



Part No.	36218	Length	19 mm
EAN	4251269322	Width	69,5 mm
	778	Height	91 mm
Package quantity	5	No. of screw holes	2
No. of shield clamps	1	Diam. of screw holes	4,9 mm
For max. no. of cables			
Min. shield diam.	68 mm		
Max. shield diam.	75 mm		